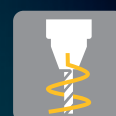


# ETP HYDRO-GRIP® ECOLINE

ECOLINE



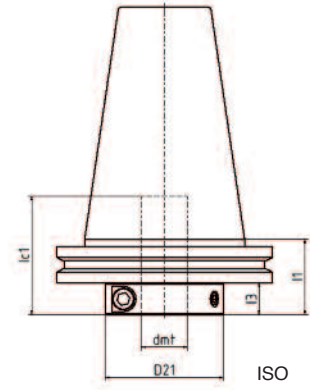
## Features and benefits

- Easy handling
- Short overhang
- Competitive price level

With the HYDRO-GRIP® ECOLINE assortment, ETP has been able to combine all the positive benefits of hydraulic clamping such as easy

handling and precision, at an impressive competitive price level. This enables more users to benefit from decrease tool wear and

increase productivity compared to using ER collet chucks or Weldon mountings.



# ETP HYDRO-GRIP® ECOLINE

## Technical Specification ISO Form A

Spindle design	Taper	Ordering code	Dimensions				
			$d_{mt}$	$D_{21}$	$l_1$	$l_3$	$l_{c1}$
● ISO 7388/1	ISO40	HG ECOLINE-20/ISO40	20	51,5	50	30,9	52
● ISO 7388/1	ISO50	HG ECOLINE-20/ISO50	20	51,5	33,1	14	52
●		HG ECOLINE-25/ISO50	25	58	33,1	14	56
●		HG ECOLINE-32/ISO50	32	68,5	33,1	14	60
● MAS-BT 403	ISO40	HG ECOLINE-20/BT40	20	51,5	41	14	52
●		HG ECOLINE-25/BT40	25	58	41	14	56
● MAS-BT 403	ISO50	HG ECOLINE-20/BT50	20	51,5	52	14	52
●		HG ECOLINE-25/BT50	25	58	52	14	56
●		HG ECOLINE-32/BT50	32	68,5	52	14	60
● Cat V	40	HG ECOLINE-20/CAT40	20	51,5	50	30,9	52
● Cat V	50	HG ECOLINE-20/CAT50	20	51,5	33,1	14	52
●		HG ECOLINE-25/CAT50	25	58	33,1	14	56
●		HG ECOLINE-32/CAT50	32	68,5	33,1	14	60

$l_1$  = programming length